

FIRES



TRENT FIREPLACES

# Trent Fireplaces range of HiLINE Gas and Electric Fires

HiLINE Control Options/Flue Information	03
HiLINE HE Gas Fire	04
HiLINE XHE Glass Fronted Gas Fire	06
HiLINE HE Slimline Gas Fire	08
HiLINE HE Superslim Gas Fire	10
Whisper 750 Portrait	12
Whisper 750 Landscape	14
Whisper 550	16
Whisper 3 Sided Gas Stove	18
Whisper Tower Gas Stove	20
Trent Electric Fire Suites	22-25
HiLINE Trim Options	26, 27, 29
HiLINE Fire Front Options	28, 29
Trent Electric Fires	30

## Information



HiLINE HE Optional Ribbed  
Interior available

### Chimney and Flue Options



#### Class 1 Flue

A Class 1 chimney is usually identified by a 7" or greater diameter flue. The Existing chimney must be structurally sound.



#### Class 2 Flue

A Class 2 flue is generally present in an older house where the existing chimney has been lined by a proprietary steel flue or a newer house with a steel flue built in. This chimney type is identified by a 5" diameter flue and a steel flue terminal.



#### Pre-cast Flue

A Pre-Cast flue is generally found in later properties (1960 onwards) that have a pre-cast concrete chimney system. This is identified by a rectangular box section flue and a terminal as illustrated.



#### Power flue

Power Flue fire expels the flue gases directly outside the building through the use of an electronically driven fan unit mounted on the external wall. A clever pressure switch monitors the performance and automatically shuts off the fire in the unlikely event of operation failure.



#### Balanced Flue

Balanced Flue fire vents directly outside through a horizontal co-axial pipe (one pipe within a larger pipe). The outer pipe draws air in from the outside and the inner pipe expels combustion gases. No electricity supply is required for Balanced Flue fires.

## HiLine Gas Fire Control Options



Hand Held Remote Control



Slide Switch Control  
Located on the side of the  
trim at the top.



Manual Rotary Control





04

**Main image:** The Edwardian Fire Surround in Grey Blush with Black Granite Back Panel & Boxed Flush Hearth with the Trent HiLINE HE Gas Fire with Brushed Steel Base Trim / Chrome Outer Trim and Polished Galaxy Fire Front  
**Small image:** The Trent HiLINE HE Gas Fire - Brushed Steel Base Trim / Chrome Duo Trim / Chrome and Black Daisy Fire Front

## HiLINE HE Gas Fire



### Trent HiLINE HE

The 4.6 kW Trent HiLINE HE is an Open Fronted Convector Gas Fire. Years of research and development have ensured that this is a super hot and realistic looking fire. The huge range of trims and fire fronts that have been designed to compliment this fire are shown on pages 26-29 giving an almost endless range to choose from putting you in the driving seat when it comes to exactly how you want your fire to look.

For the large selection of Fire Trims and Fire Front options see pages 26-29

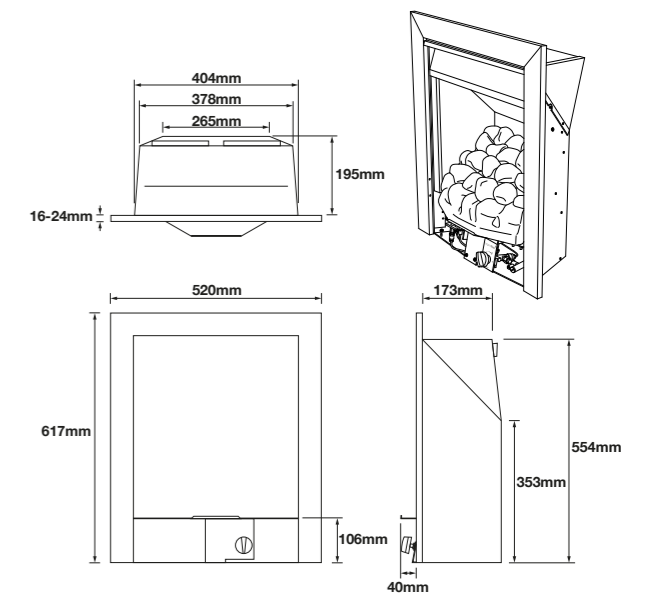
Controls	Manual - Slide Control - Hand Held Remote Control	
Heat Output	High 4.6 kW	Low 2.1 kW
Heat Input	High 6.9 kW	Low 4.2 kW
Gas Type	Natural Gas - LPG * (Reduces to 3.9 kW heat output)	
Options:	Low Lintel Version * (Reduces to 3.9 kW heat output)	
	Ribbed Interior (see page 3)	
	Pebble Effect Fuel Bed	
	* Note: The LPG and Low Lintel fires are not convectors	



Suitable for Class 1 Flue



Suitable for Class 2 Flue



05



06

**Main image:** The Benidorm Fire Surround in White with Grey Split Slate Back Panel & Hearth with the Trent HiLINE XHE Gas Fire with Black Base Trim / Brushed Steel Outer Trim / Black and Satin Elan Fire Front  
**Small image:** The Trent HiLINE XHE Gas Fire - Black Base Trim / Brushed Steel Duo Trim / Satin Aviva Fire Front

# HiLINE XHE Glass Fronted Gas Fire



## Trent HiLINE XHE

The Trent HiLINE XHE is a stunning Glass Fronted Convector Gas Fire using the latest technology to deliver a highly efficient and realistic gas fire. The huge range of trims and fire fronts that have been designed to compliment this fire are shown on pages 26-29 giving an almost endless range to choose from putting you in the driving seat when it comes to exactly how you want your fire to look.

For the large selection of Fire Trims and Fire Front options see pages 26-29

Controls	Manual - Slide Control (Not available on balanced flue) Hand Held Remote Control	
Heat Output	High 3.8 kW	Low 1.8 kW
Heat Input	High 4.6 kW	Low 2.6 kW
Gas Type	Natural Gas	
Options:	Pebble Effect Fuel Bed	
	Note: The Balanced Flue version is not a convector	



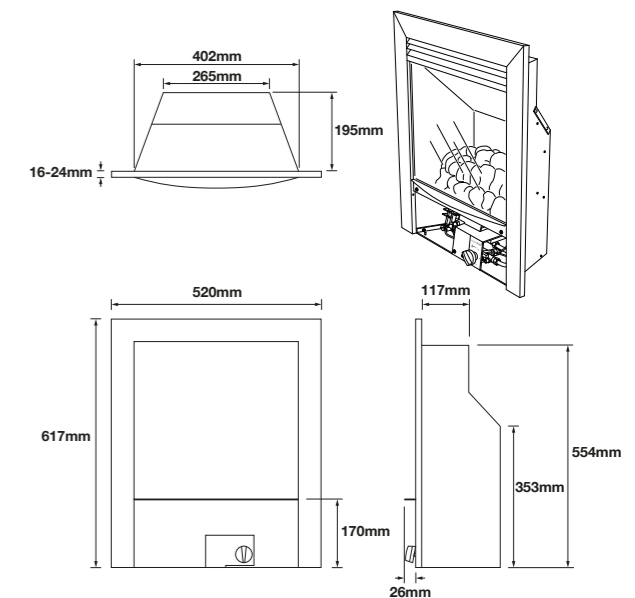
Suitable for Class 1 Flue



Suitable for Class 2 Flue



Available in Balanced Flue



07



08

**Main image:** The Newland Fire Surround in Clear Oak with American Walnut Inlay with Bianca Beige Back Panel & Hearth with the Trent HiLINE HE Slimline Gas Fire with Brushed Brass Base Trim / Black Duo Trim / Brass Galaxy Fire Front  
**Small image:** The Trent HiLINE HE Slimline Gas Fire - Brushed Steel Contemporary Fascia

## HiLINE HE Slimline Gas Fire



### Trent HiLINE HE Slimline

The Trent HiLINE HE Slimline is a mid depth gas fire which has been designed for installation into Class 1, Class 2 and pre-cast flues while still retaining a realistic and full fuel bed. In addition to these installations the Slimline is available as a Powerflue. The huge range of trims and fire fronts that have been designed to compliment this fire are shown on pages 26-29 giving an almost endless range to choose from putting you in the driving seat when it comes to exactly how you want your fire to look.

For the large selection of Fire Trims and Fire Front options see pages 26-29

Controls	Manual - Slide Control - Hand Held Remote Control (Powerflue version Manual only)	
Heat Output	High 3.5 kW	Low 2.1 kW
Heat Input	High 6.2 kW	Low 4.0 kW
Gas Type	Natural Gas	
Options:	Pebble Effect Fuel Bed Log Effect Fuel Bed	



Suitable for Class 1 Flue



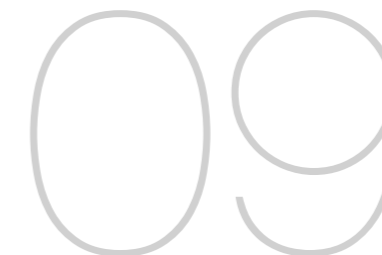
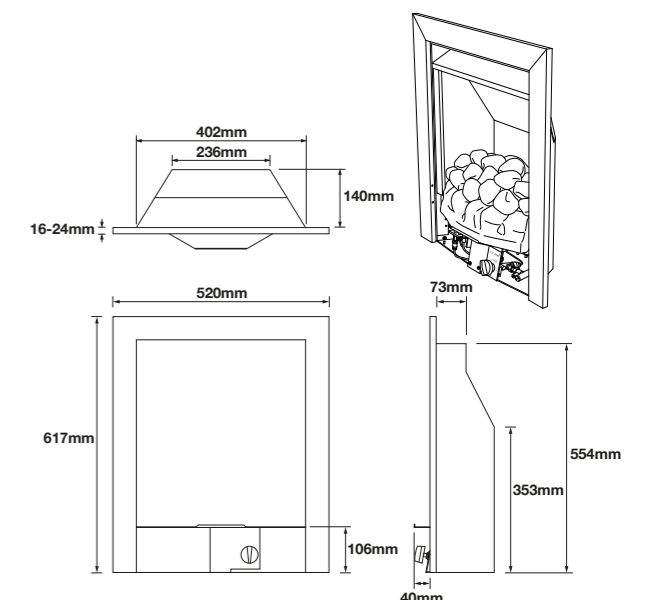
Suitable for Class 2 Flue



Suitable for Pre-cast Flue



Available in Power Flue





10

**Main image:** The Brookfield Fire Surround in Solid Oiled Oak with Oyster Split Slate Back Panel & Hearth with the Trent HiLINE HE Superslim Gas Fire with the Bronze Profile Contemporary Fascia  
**Small image:** The Trent HiLINE HE Superslim Gas Fire - Brushed Brass Base Trim / Black Duo Trim / Brass Galaxy Fire Front

# HiLINE HE Superslim Gas Fire



## Trent HiLINE HE Superslim

The Trent HiLINE HE Superslim at 89mm deep can be installed into just about any pre-cast flue. Using cutting edge technology the Superslim now allows installation of a realistic and efficient fire into the most challenging of flues. The huge range of trims and fire fronts that have been designed to compliment this fire are shown on pages 26-29 giving an almost endless range to choose from putting you in the driving seat when it comes to exactly how you want your fire to look.

For the large selection of Fire Trims and Fire Front options see pages 26-29

Controls	Manual - Slide Control - Remote Control	
Heat Output	High 3.0 kW	Low 1.8 kW
Heat Input	High 5.5 kW	Low 3.6 kW
Gas Type	Natural Gas	
Options:	Pebble Effect Fuel Bed	



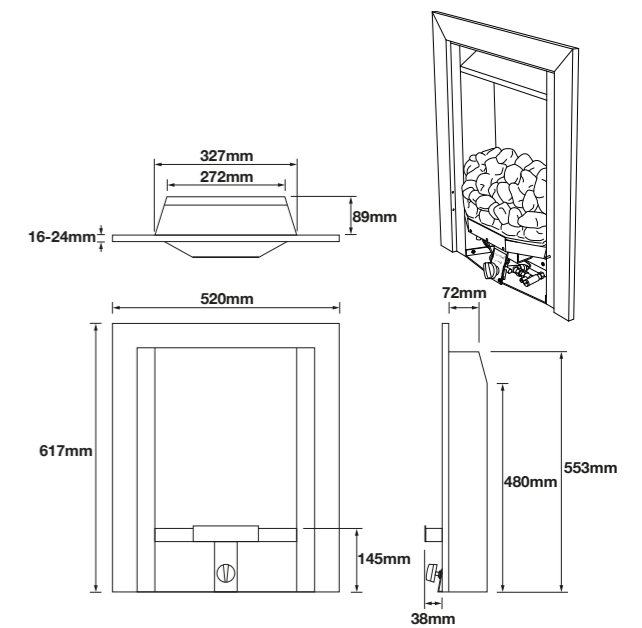
Suitable for Class 1 Flue



Suitable for Class 2 Flue



Suitable for Pre-cast Flue





# Whisper 750 Portrait



## The Whisper 750 Portrait

Suitable for installation into a fireplace or Hole In The Wall application. Your perfect choice for contemporary or traditional inspired projects the Whisper 750 Portrait offers high efficiency stunning looks and meticulous manufacturing.

Trim Options: 4 sided Flat Black  
4 sided Flat Grey

Fire Interior Options: Black  
Black Glass  
Cream  
Brick Effect

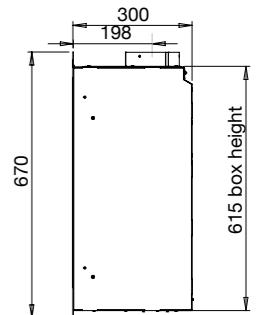
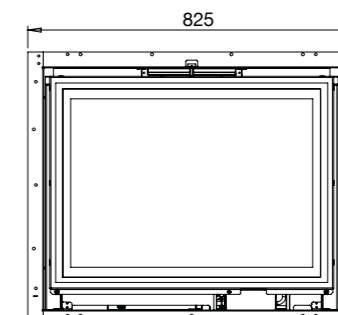
Controls	Hand Held Remote Control
Heat Output	High 5.48 kW
Heat Input	High 7.4 kW
Gas Type	Natural Gas
Options:	Driftwood Effect Fuel Bed Log Effect Fuel Bed Flue - Top & Rear exit is standard Optional offset rear exit available



Suitable for Class 1 Flue



Suitable for Class 2 Flue



12

**Main image:** The Whisper 750 Portrait Gas Fire (log effect fuel bed) shown with the Grace Stone Fireplace from R O Arnolds at Doncaster Tel 01302 366 220  
**Small image Top:** The Whisper 750 Portrait Gas Fire shown in the Cara Fireplace supplied by R O Arnolds at Doncaster Tel 01302 366 220  
**Small image Bottom:** The Whisper 750 Portrait with Black Slate slips as a Hole In The Wall Installation

13



# Whisper 750 Landscape

## Whisper 750 Landscape

### Trim Options:

- Black / Silver Profile
- Satin / Silver Profile
- Bronze / Silver Profile
- Flat Black
- Landscape Black
- Flat Ancient Grey
- Landscape Ancient Grey

### Fire Interior Options:

- Black
- Black Glass
- Cream
- Brick Effect



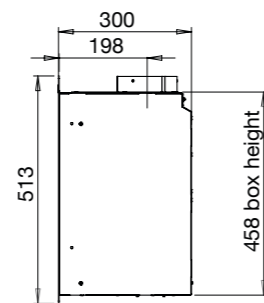
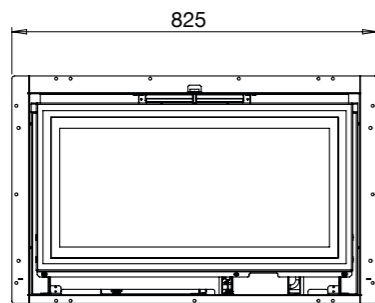
<b>Controls</b>	Hand Held Remote Control	
<b>Heat Output</b>	High 4.71 kW	
<b>Heat Input</b>	High 6.00 kW	
<b>Gas Type</b>	Natural Gas	
<b>Options:</b>	Driftwood Effect Fuel Bed	Flue - Top & Rear exit is standard
	Log Effect Fuel Bed	Optional offset rear exit available



Suitable for Class 1 Flue



Suitable for Class 2 Flue



14



15

**Main image:** The Whisper 750 Landscape Gas Fire with Log effect fuel bed shown in the Aylesbury Fireplace from R O Arnolds at Doncaster Tel 01302 366 220

**Small image Top:** The Whisper 750 Landscape with Marble Slips shown as a Hole In The Wall installation

**Small image Bottom:** The Whisper 750 Landscape with the Satin/Silver Profile Trim shown as a Hole In The Wall installation





16

**Main image:** The Whisper 550 shown in the Meridian Fireplace from R O Arnolds at Doncaster Tel 01302 366 220  
**Small image Top:** The Whisper 550 with the Black / Silver profile Trim as a Hole In The Wall installation  
**Small image Bottom:** The Whisper 550 with the Landscape Ancient Grey Trim as a Hole In The Wall installation

# Whisper 550



## The Whisper 550

Trim Options:  
 Black / Silver Profile  
 Flat Black  
 Landscape Black  
 Flat Ancient Grey  
 Landscape Ancient Grey

Fire Interior Options  
 Black  
 Black Glass  
 Cream  
 Brick Effect

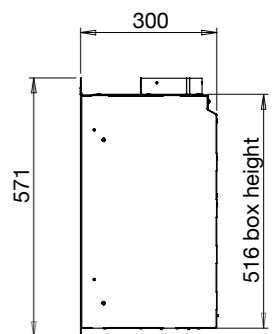
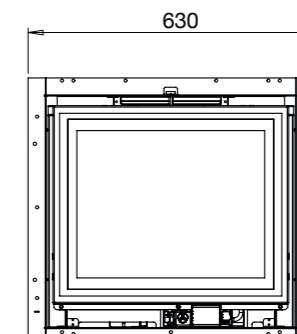
Controls	Hand Held Remote Control
Heat Output	High 4.2 kW
Heat Input	High 5.5 kW
Gas Type	Natural Gas
Options:	Log Effect Fuel Bed Only
	Flue - Top & Rear exit is standard
	Optional offset rear exit available



Suitable for Class 1 Flue



Suitable for Class 2 Flue



17





18

**Main image:** The Whisper 3 Sided Glass Gas Stove with Logs and Cream interior.  
**Small image:** The Whisper 3 Sided Glass Gas Stove with Logs and Cream Interior shown as a free standing installation.

## Whisper 3 Sided Gas Stove



### Whisper 3 Sided Gas Stove

The brand new Whisper Stove is a welcome addition to the Whisper Range. Giving a realistic flame picture and convected heat. A superb blend of design flair and engineering excellence. The three sided glass gas stove will look perfectly at home in either a fireplace setting or free standing installation. To add the perfect finishing touch the Whisper Stove comes with a fully sequential remote control. This stove fits both class 1 and class 2 flues and in addition will fit into a 5inch Twinwall or 7inch copex flue.

Note Flue outlet can be top or rear

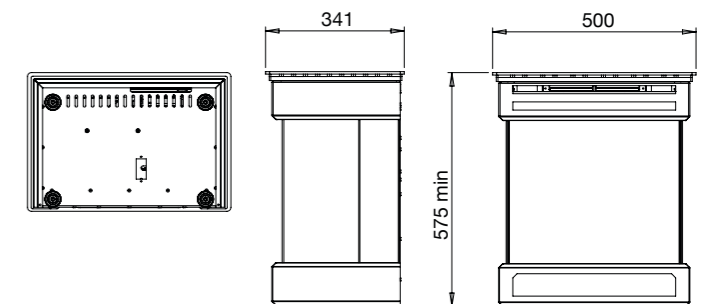
Controls	Hand Held Remote Control	
Heat Output	High 4.62 kW	
Heat Input	High 5.5 kW	
Gas Type	Natural Gas	
Options:	Log effect Fuel bed Only	Flue - Top exit is standard
	Fire interiors: Black Cream	Optional offset rear exit and rear letterbox available



Suitable for Class 1 Flue



Suitable for Class 2 Flue



19





20

**Main image:** The Whisper Tower Glass Gas Stove with Logs and Cream interior shown with the Chelsea Fire Surround in White  
**Small image:** The Whisper Tower Glass Gas Stove with Logs and Cream interior shown as a free standing installation.

## Whisper Tower Gas Stove



### The Whisper Tower Gas Stove

A stunning ultra sleek gas stove the Whisper Tower Stove is shown complete with its own log store (optional) giving the ultimate in authentic stove appearance but with all the up to date technology offering the convenience that is required for today's busy lifestyles. The Whisper Stove comes with a fully sequential remote control. The stove fits both class 1 and class 2 flues and in addition will fit into a 5inch Twinwall or 7inch copex flue.

Note - Flue outlet can be Top or Rear  
 Note - All images show OPTIONAL log store

Controls Hand Held Remote Control only

Heat Output High 4.45 kW

Heat Input High 5.5 kW

Gas Type Natural Gas

Options: Log effect Fuel bed Only

Log Store

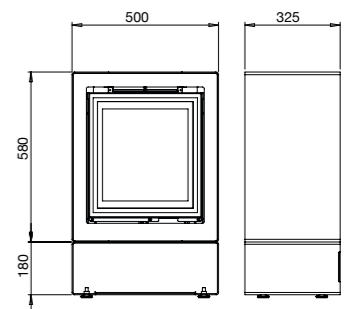
Fire interiors:

Black

Cream

Flue - Top exit is standard

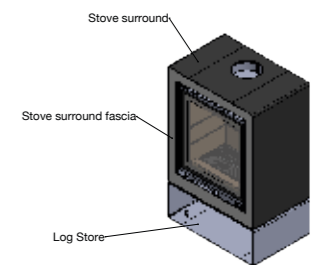
Optional offset rear exit and rear letterbox available



Suitable for Class 1 Flue



Suitable for Class 2 Flue



21



# Trent Electric Suites



A brand new and exciting new look for Trent Fireplaces Electric Fires and Stoves. Set within these brand new split slate chambers that have been designed specifically for the Trent Electric Range. These beautifully hand crafted chambers are available in two colours, Oyster Split Slate and Dove Grey Split Slate. The new chambers allow the electric fire range to be fitted onto a flat wall with minimal installation requirements but offering an up to the minute look.

Pictured Above: The Benidorm Fire Surround in White with Split Oyster Slate Chamber and the Glendale Electric Stove

Pictured Above: The Ruffle Fire Surround in Grey Blush with Dove Grey Split Slate Chamber with optional downlights and the Colorado Electric Fire with Brushed Steel Trim and TwoTone Fire Front in Black/Gunmetal Finish. Also shown below is the Ruffle Suite with Glendale Electric Stove.



Pictured right: The Kirk Fire Surround in Clear Oak with Split Oyster Slate Chamber and the Evoke Dynamic Electric Fire with a Brushed Steel Contemporary Trim.



Chamber Suites for the Electric Fires will suit both standard inset Electric Fires (with a spacer) and free standing Electric Stoves.



# Trent Electric Suites



Pictured Above: The Luna Electric Suite in White is a complete electric suite with the 600 Dynamic Glass Fronted Electric Fire. Operated with a hand held remote control the fire gives a heat output of 2 kW (low setting 1 kW). The entire suite can be fitted to a flat wall and offers the latest design concept with minimal installation requirements.



Pictured Above: The Orwell Fire Surround in Light Oak with the Oyster Split Slate Chamber and the Glendale Electric Stove



Pictured right: The Keswick Fire Surround in Washed Oak with Dove Grey Split Slate Chamber, optional downlights and the Glendale Electric Stove.



Pictured right: The Flat Victorian Fire Surround shown in White with the Dove Grey Split Slate Chamber and the Glendale Electric Stove.

# HiLINE Trim Options

There is a huge choice of trim options available for the HiLINE and Evoke range of fires. Trent Fireplaces pride themselves on giving you exactly what you are looking for and allowing you to custom finish your fireplace to your desired look. Not only can you choose exactly how you want your fire to look but if you want a change or to update your look simply clip on a new trim in another colour finish without the need to get an engineer out to alter the fire. Simply clip on the base trim with the supplied magnets and then add another DUO or OUTER trim of your choice.

## Base Trims

These trims are fitted to the Trent HiLINE range of Gas Fires. The base trim can be fitted on it's own as seen or have an additional trim (Duo or Outer) added to it, see below.



The Base Trim comes in a choice of 5 colour finishes. The base trims are 55mm wide on the front face and 16mm deep



Black Base Trim



Brushed Brass Base Trim



Brushed Steel Base Trim



Brass Base Trim



Chrome Base Trim

## Duo Trims

These trims are fitted on top of the Base Trim with magnets allowing easy removal if required. There is a choice of 5 colour options.



The Duo trim is 30mm wide on the face and sits central over the base trim. It is 4mm thick so sits flat on the base trim.



Black Duo Trim



Brushed Brass Duo Trim



Brushed Steel Duo Trim



Brass Duo Trim



Chrome Duo Trim

## Outer Trims

These trims are fitted on top of the Base Trim with magnets allowing easy removal if required.



There is a choice of 5 colour options.

The Outer trim is 35mm wide on the face and wraps around the outer edge of the base trim being 20mm deep



Black Outer Trim



Brushed Brass Outer Trim



Brushed Steel Outer Trim



Brass Outer Trim



Chrome Outer Trim

# HiLINE Fire Front Options

There is also a huge choice of Fire Fronts available for the HiLINE range of fires. Trent Fireplaces pride themselves on giving you exactly what you are looking for and allowing you to custom finish your fire to your desired look. Not only can you choose exactly how you want your fire to look but if you want to change it to update your look simply remove the existing fire front and replace with another of your choice without the need to get an engineer out to alter the fire.



**Aviva**  
Black



**Aviva**  
Brass



**Aviva**  
Satin



**Aviva**  
Chrome



**Daisy**  
Black



**Daisy**  
Black & Brass



**Daisy**  
Satin



**Daisy**  
Black & Chrome



**Galaxy**  
Brass



**Galaxy**  
Chrome



**Elan**  
Black/Brushed Brass



**Elan**  
Brass/Brushed Brass



**Elan**  
Black/Brushed Steel



**Elan**  
Chrome/Brushed Steel



**Galaxy**  
Brushed Steel



**Ark**  
Black



**Ark**  
Brass



**Ark**  
Satin



**Ark**  
Chrome



**Contemporary Fascia**  
Brushed Steel



**Contemporary Fascia**  
Black

**Contemporary & Profile Fascias**

The Contemporary and Profile Fascias are a further option for the HiLINE range of fires. These fascias are one piece and the colour options are as seen below. All of the fascias can be ordered as 3 sided version (as seen) or as a 4 sided version to fit a Hole In The Wall installation.



**Two Tone**  
Gunmetal & Black



**Two Tone**  
Satin & Steel



**Two Tone**  
Brass/Brushed Brass



**Profile Facia**  
Satin / Silver



**Profile Facia**  
Brass / Satin Brass



**Profile Facia**  
Bronze / Silver

# Trent Electric Fires

# Your design notes



**The Glendale Electric Stove LED**  
 Fuel Bed Options: Coal only  
 Heat Output on Low: 0.9 kW  
 Heat Output on High: 1.8 kW  
 Options: None  
**Glendale Dimensions:**  
 484mm wide  
 623mm high  
 303mm deep



**The Colorado Glass Fronted LED**  
 Fuel Bed Options: Logs only  
 Heat Output on Low: 0.75 kW  
 Heat Output on High: 1.50 kW  
 Options: Remote Control - Spacer  
 Trim & Front options see pages 26-29



**The Evoke**  
 Fuel Bed Options: Coal / White Stones  
 Heat Output on Low: 1.0 kW  
 Heat Output on High: 2.0 kW  
 Options: Remote Control - Spacer  
 Trim & Front options see pages 26-29



**The Evoke Dynamic LED**  
 Fuel Bed Options: Coal / Beech Pebbles  
 Heat Output on Low: 1.0 kW  
 Heat Output on High: 2.0 kW  
 Options: Remote Control - Spacer  
 Trim & Front options see pages 26-29



**The Polar Dynamic LED**  
 Fuel Bed Options: Coal / Beech Pebbles  
 Heat Output on Low: 1.0 kW  
 Heat Output on High: 2.0 kW  
 Options: Remote Control - Spacer



**The Damask Dynamic LED**  
 Fuel Bed Options: Coal / Beech Pebbles  
 Heat Output on Low: 1.0 kW  
 Heat Output on High: 2.0 kW  
 Options: Remote Control - Spacer

We strongly recommend that a fire guard be used where children, the elderly and infirm are present.

Additional ventilation is not usually required with appliances that are rated as below 7kW.

With regard to cast iron and brass products due to the casting process all sizes quoted are approximate. Polished cast iron and brass products are not recommended for solid fuel fires as some discolouration may occur. Occasionally this process of discolouration, which does not effect the serviceability of the product, may also occur with high output gas fires, therefore if discolouration will cause distress it is strongly recommended that black products be selected.

All materials featured are reproduced as accurately as possible to the original products within the constraints of the photographic and printing processes. We recommend the installation of all products by a professional fireplace installer and Gas Safe Registered Installer. We further recommend that all gas and electric fires are serviced annually by a suitably qualified engineer. Trent Fireplaces Ltd cannot be held responsible for any damage arising from incorrect or unqualified installation. All of the gas fires featured in this brochure are fitted with oxygen depletion sensing pilots and Flame Supervision Device as standard. Trent Fireplaces Ltd have taken great care in the preparation of the information contained in this brochure, but accept no liability for any loss or damage arising directly or indirectly from the use of, or reliance upon, any such information (except for liability for negligence resulting in personal injury which if proven is not excluded) Nothing in this brochure shall amount to any express or implied representation, warranty or other assurance. Trent Fireplaces Ltd., reserve the right to change the description and specification of their products without prior notification or formal notice. Consumer rights are not affected.



Trent Fireplaces  
Euro House  
Willow Road  
Nottingham NG7 2TA

**T** 0115 9790330  
**E** [sales@trent-fireplaces.co.uk](mailto:sales@trent-fireplaces.co.uk)  
**W** [www.trent-fireplaces.co.uk](http://www.trent-fireplaces.co.uk)



TRENT FIREPLACES