

# The Gap D-Trit

The WC without limits

**Roca**



## The clever solution for any location

### Small to large projects

Services up to 3 additional inlets for other bathroom connections.

### Complete bathroom

The WC features three auxiliary water inlets for basin, bidet, bath or shower.

### Quiet operation

The macerator pump is located inside the WC, thus ensuring a low noise level (47 decibels) compared to other external macerators.

### Back-to-wall installation

Prevents the buildup of dirt in empty spaces at the rear of the toilet.

### Side covers

To provide easy access to the macerator and conceal any unsightly pipework.



### All-in-one solution

Integrated and concealed waste macerator that can provide a complete bathroom installation solution where there is no soil stack.

### Rimless WC

Being a rimless WC The Gap D-Trit allows easier and more efficient cleaning and therefore greater hygiene. There are no nooks or angles inside the bowl ensuring a more contemporary look.

### Supralit® antibacterial seat and cover

Designed with hygiene in mind Supralit® is a highly durable antibacterial resin material exclusive to Roca. Its exceptional formulation not only reinforces hygiene in the toilet, but also ensures greater durability of the products.

### Water saving

Dual flush mechanism  
4.5 / 3 litres.

### Peace of mind

25 years for ceramics  
2 years for macerator



# The Gap D-Trit

## The WC without limits

The Gap D-Trit WC is designed for easy installation and easy access with up to 3 additional inlets for other bathroom connections. It's the perfect solution where a single WC, cloakroom, en-suite or bathroom project is not located near a soil stack.

### **The Gap D-Trit is perfect for:**

- Cloakrooms
- En-suites
- Loft conversions
- Garden offices
- Basement conversions



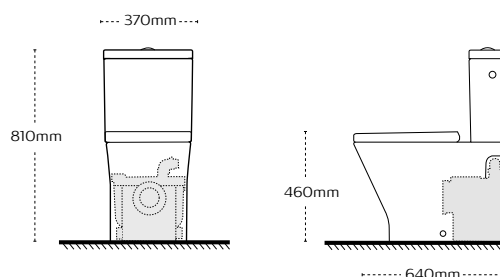
## The Gap D-Trit WC with integrated waste macerator

Product code: **34TON2000**

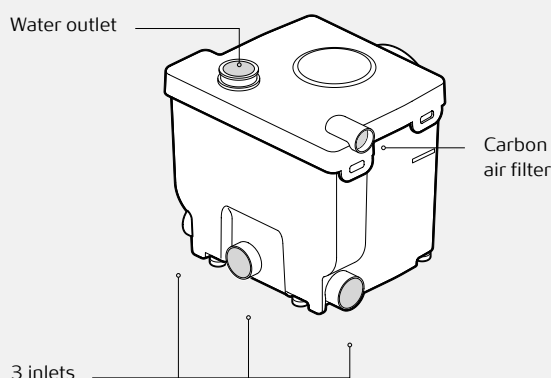
RRP (Excluding VAT) **£1177.20**



- Round close-coupled WC pan with floor fixing kit
- Dual flush cistern: 4.5/3 litres with side water inlet
- Supralit® soft-close seat and cover
- D-Trit macerator with stainless steel cutting blade
- 2 easy access side panels to conceal pipework connections



### Use up to 3 additional inlet connections



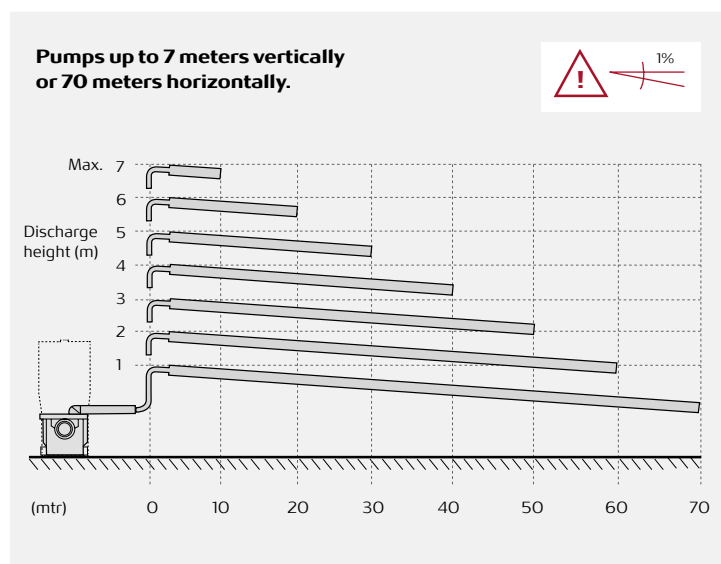
### The Gap D-Trit Macerator

Possible water connections:



1. Single Cistern inlet  
(Required for the WC - Inlet on either side of the cistern for the water inlet)
2. Cloakroom installation - WC & Washbasin
3. En-suite installation - WC, Washbasin & Shower
4. Bathroom or Shower installation - WC, Washbasin, Bath/Shower, Bidet

## Technical features



### D-Trit Macerator

Number of Inlets	4 (Including 1 inlet through the cistern)
Ø Inlet	Ø40mm
Ø discharge pipework	Ø32mm
Motor Power	400W
Voltage	220-240 V/50Hz
IP Rating	IPX4 /IP44
Sound Level	47Db(A)
Weight	WC pan and seat 29kg Cistern 13kg D-Trit 5.2kg

## The ALL-IN-ONE easy installation solution pack



### Everything you need in one package

Pack includes WC pan, soft close seat, cistern with push button flush and sanitary waste macerator pump.

## Customer Service and Aftersales Assistance

Please contact Roca UK.

### Roca UK

Interlink Way West, Bardon,  
Coalville, Leicestershire, LE67 1LD  
Tel: 01530 830 080  
Email: [uk.aftersales@uk.roca.net](mailto:uk.aftersales@uk.roca.net)  
[www.uk.roca.com](http://www.uk.roca.com)

### Roca Ireland

Unit 628A, Jordanstown Avenue,  
Greenogue Industrial Estate,  
Rathcoole,  
County Dublin  
Telephone: +353 1 401 9340





**Roca**

**Roca Ltd**

Interlink Way West, Bardon,  
Coalville, Leicestershire, LE67 1LD  
Tel: 01530 830 080  
Fax: 01530 830 010  
[www.uk.roca.com](http://www.uk.roca.com)

**Roca Ireland**

Unit 628A, Jordanstown Avenue,  
Greenogue Industrial Estate,  
Rathcoole,  
County Dublin  
Telephone: (01) 401 9340

[www.uk.roca.com](http://www.uk.roca.com)